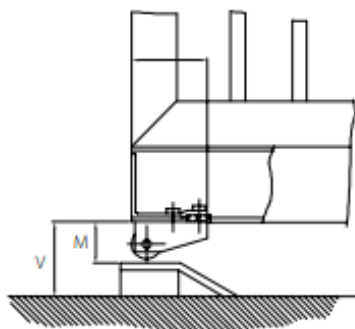




249.660
259.660
269.660



Réf.	V (mm)	M (mm)	N (mm)	Poids (kg)
249.660	90	50	95	1,750
259.660	90	50	105	1,750
269.660	110	70	135	1,750

B < 3000mm - 1 x 269.660
- 1 x 269.610
B > 3000mm - 2 x 269.660

