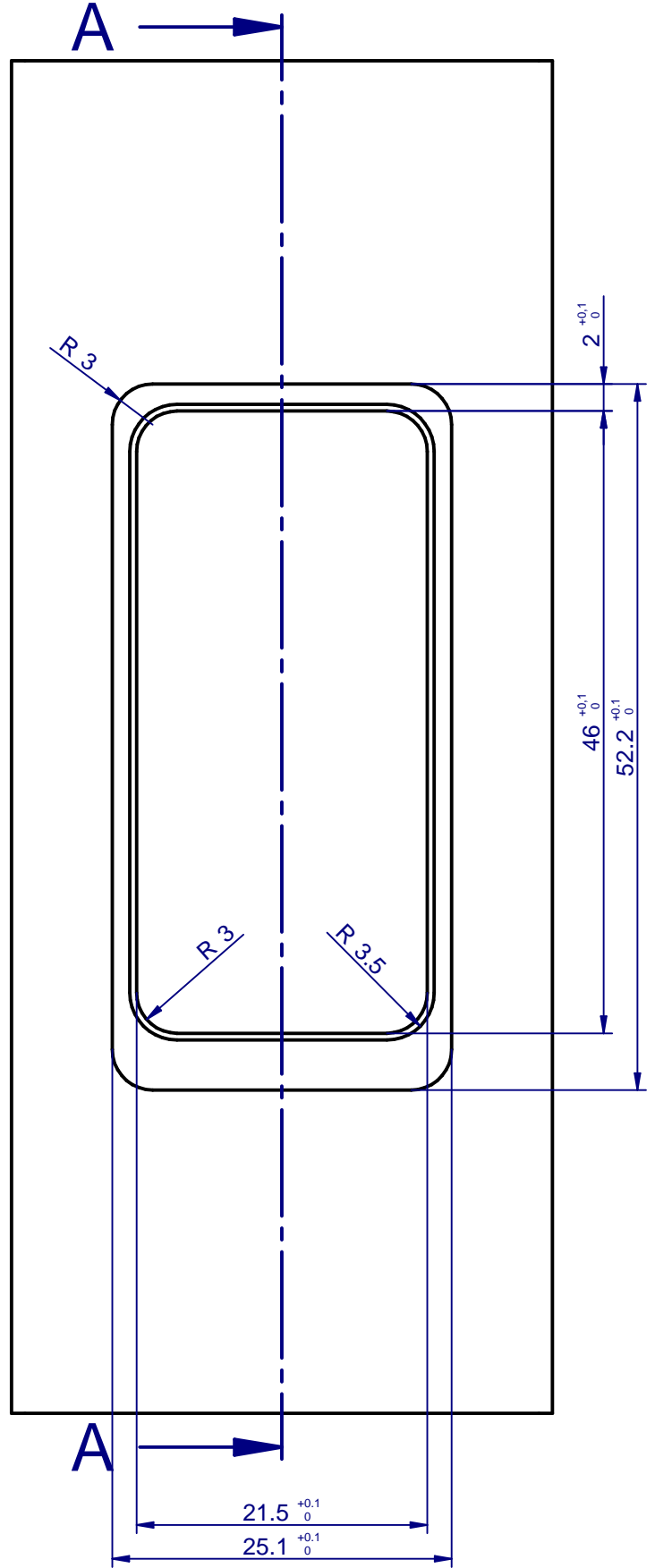
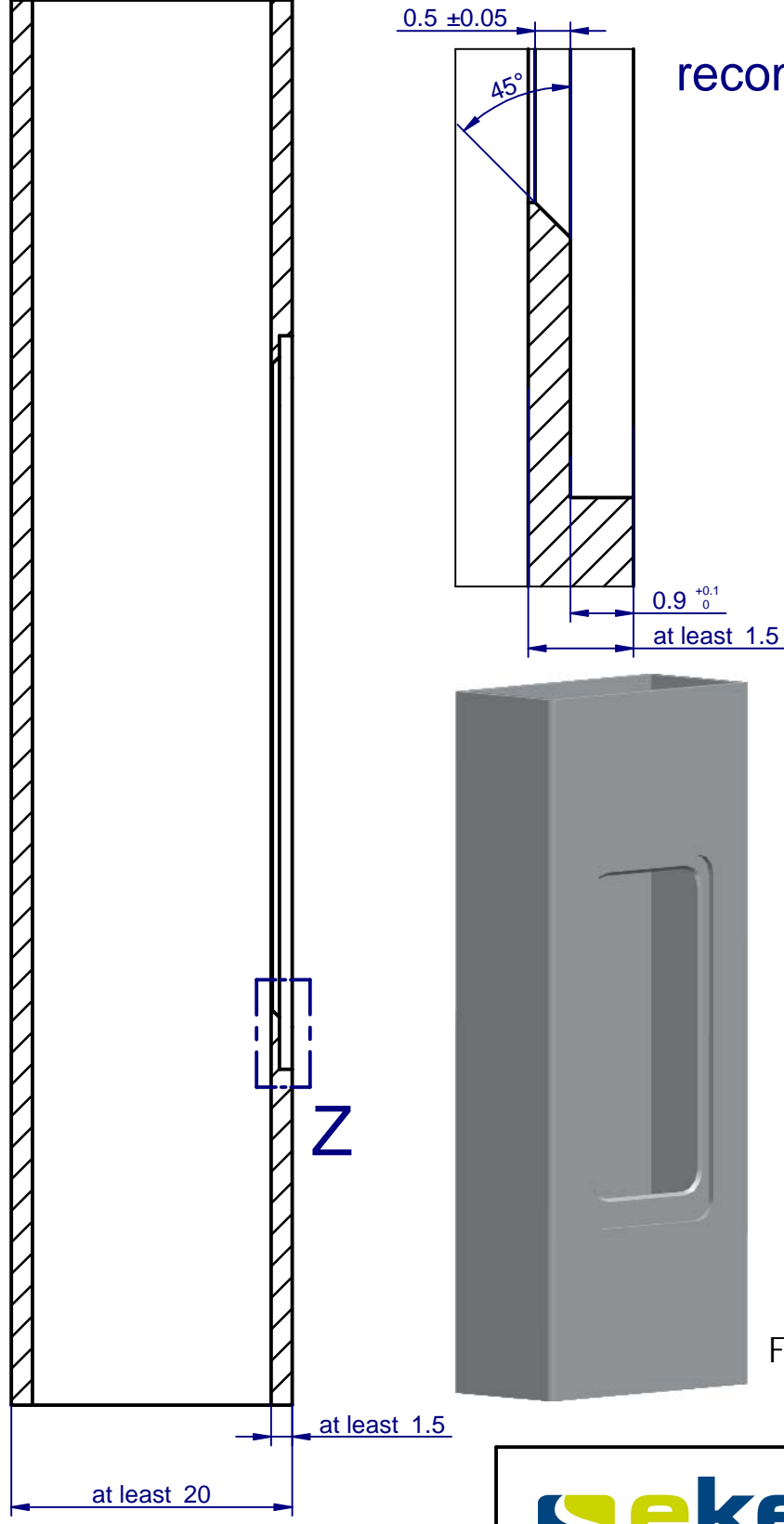


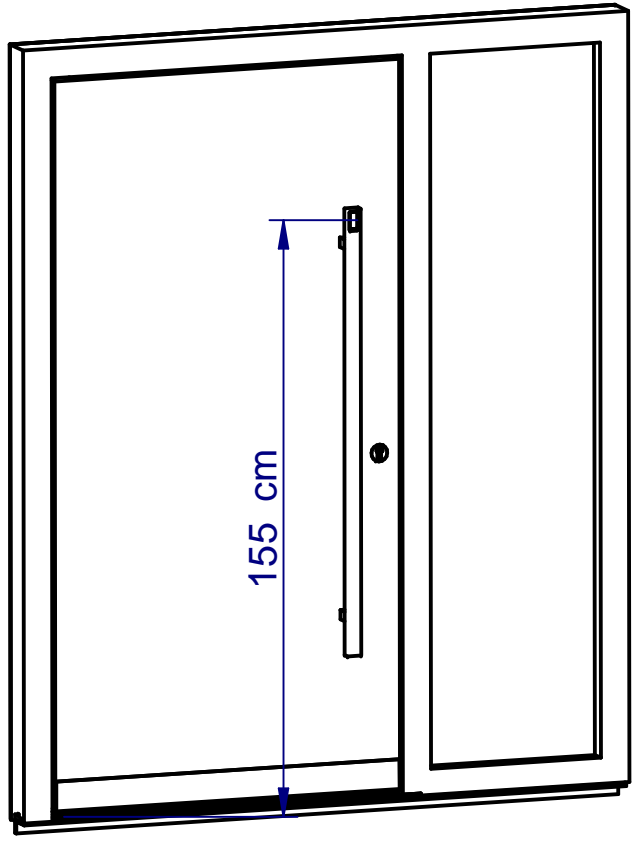
Section A-A



Detail Z 10:1



Fingerprint scanner:
recommended mounting height 155 cm
recommended door handle length at least 120 cm



Additional comments /
Zusatzinformationen

Non-dimensioned radii /
Nicht bemaßte Radien = R0.3

All visible surfaces have to be free of surface defects /
Sämtliche Sichtflächen müssen frei von Oberflächendefekten sein

For missing dimensions please check 3D-data - 3D-data are generally binding /
Fehlende Maße bitte den 3D-Daten entnehmen, 3D-Daten generell bindend

Drawing only valid for unpainted stainless steel door handle

		general tolerance ISO 2768-mK	edge ISO 13715	Scale: 2:1	Weight: 0,122 kg
		toleration acc. to ISO 8015		Material: 1.4571	
Revision		Date	Name	Part name:	
		Drawn 19.01.2021	holzcl	milling drawing door handle	
		Check. -	-		
		Rel. -	-		
		Project No.: P-00175		Drawing No.:	
		Part No.: -		0040_030	
Rev.	Description	Date	Author	Sheet:	1
				of:	1
				Size:	A3