

# TWENTY

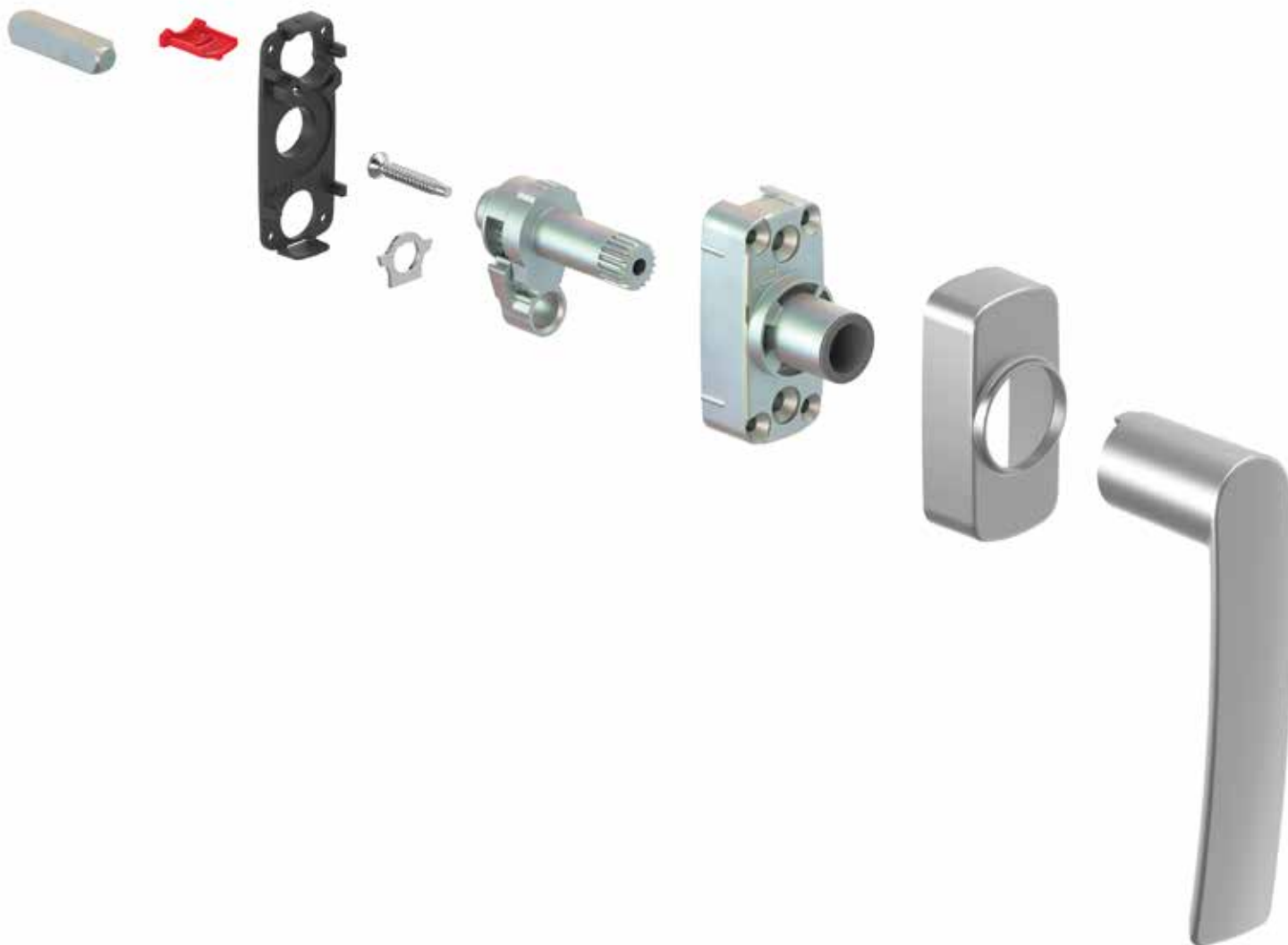
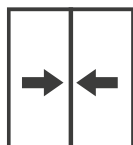
HANDLE FOR SLIDING OPENINGS

 Made in Italy

**fapim**<sup>®</sup>  
Life in evolution

# TWENTY

HANDLE FOR SLIDING OPENINGS



Art. 5040AA-5040AB-5040FA

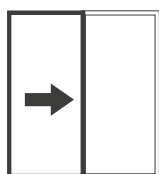
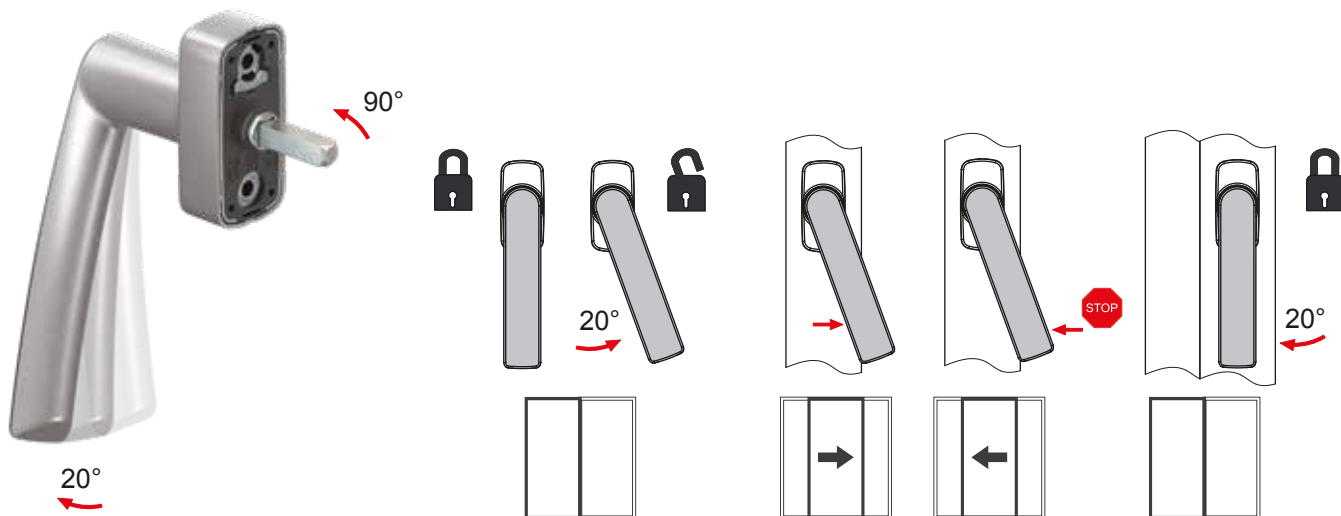
Art. 5040AL-5040FL

Art. 5040AR-5040FR

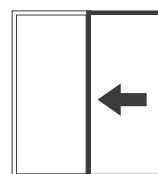
Art. 5041A

Art. 5041F

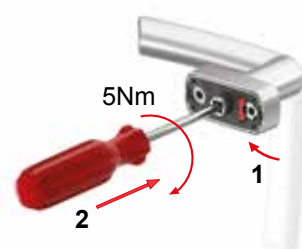
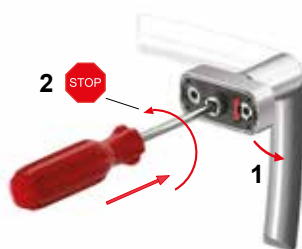




RIGHT

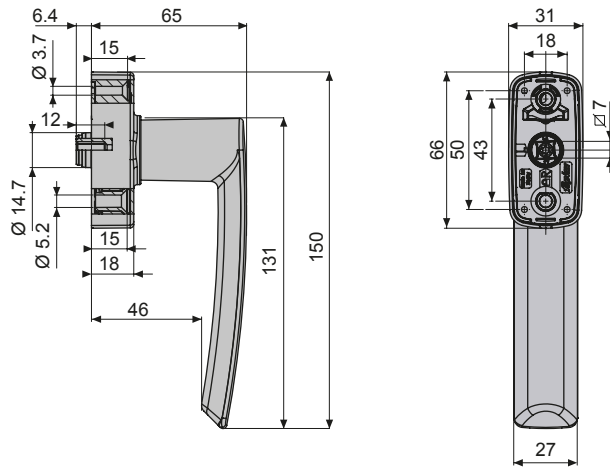


LEFT

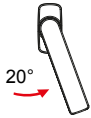


# TWENTY

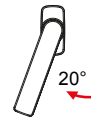
HANDLE FOR SLIDING OPENINGS



5040AA



5040AB

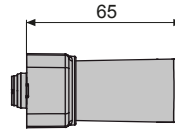


5040FA

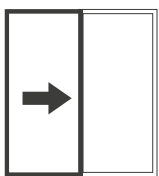
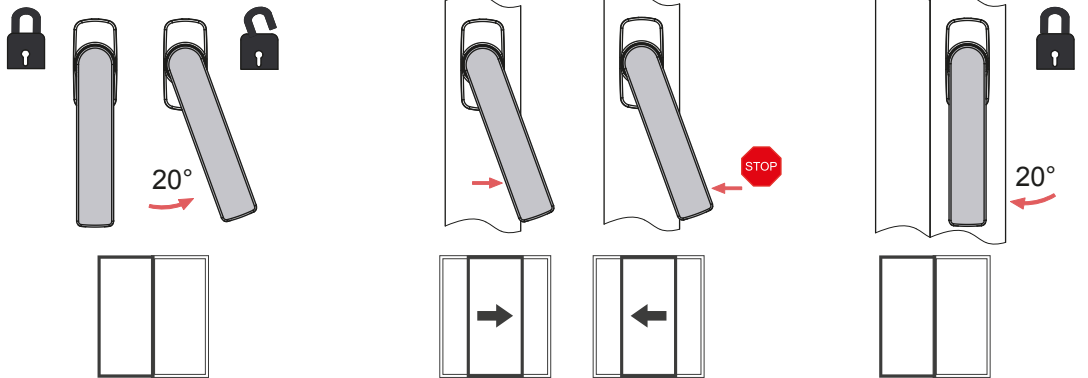


43

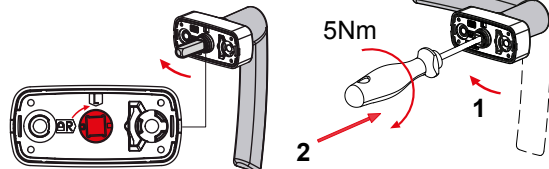
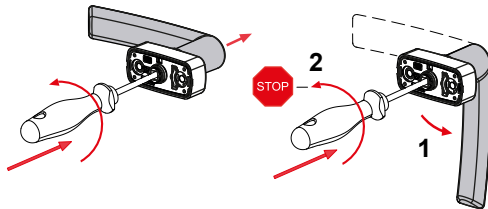
10



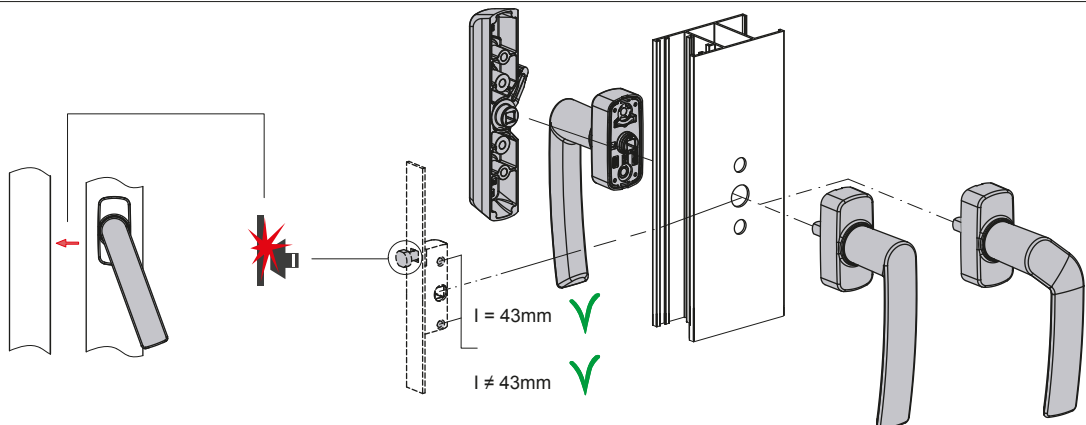
Art. 5040AA  
Art. 5040AB

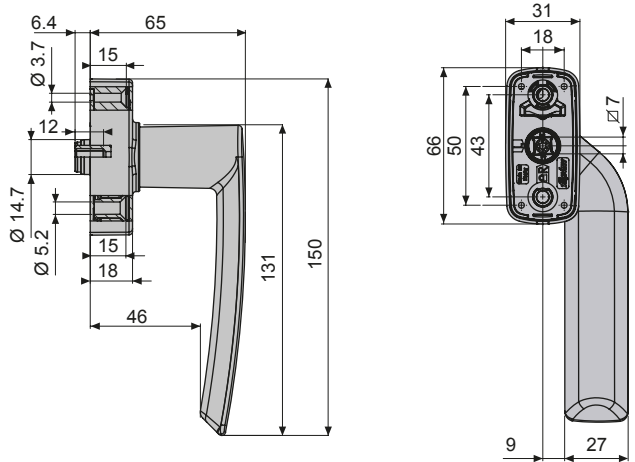


RIGHT

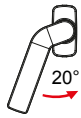


LEFT





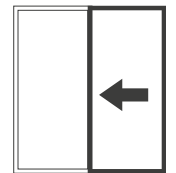
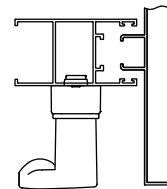
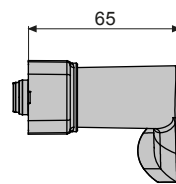
5040AL



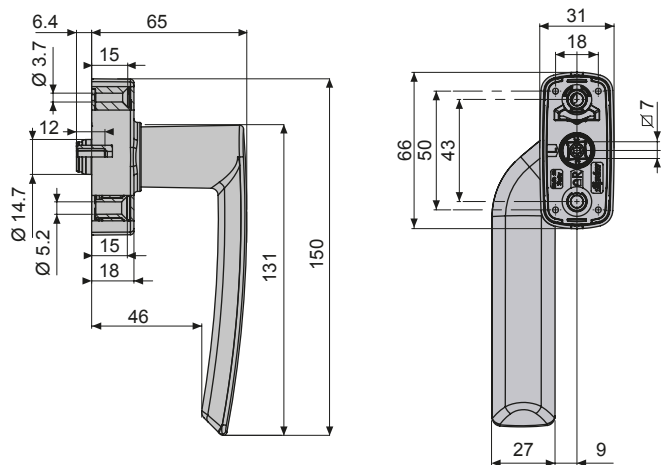
43

10

5040FL



LEFT



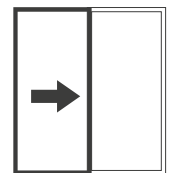
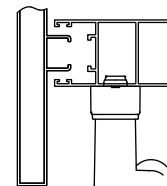
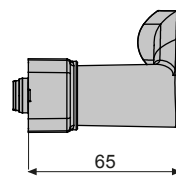
5040AR



43

10

5040FR

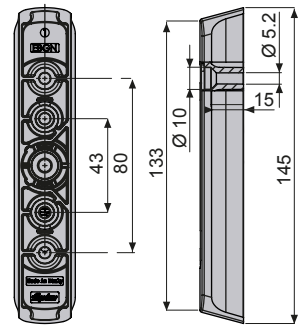
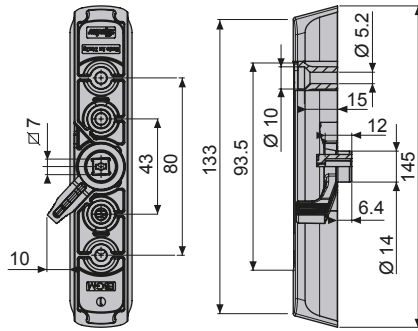


RIGHT



Art.5041A

Art.5041F

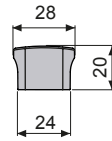
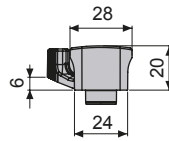


5041A

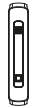


43  
80

10



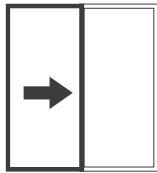
5041F



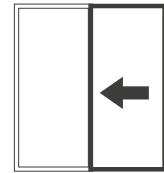
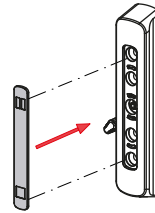
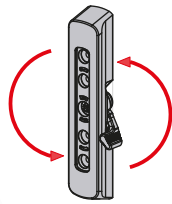
43  
80



Art.5041A



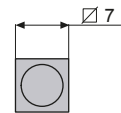
RIGHT



LEFT



L



5042A

29

5042B

32

5042C

36

5042D

40

5042E

44

5042F

48

5042G

52

5042H

56

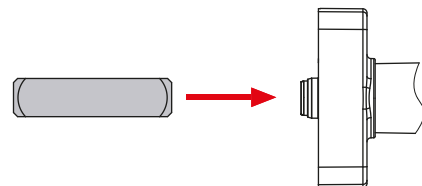
5042I

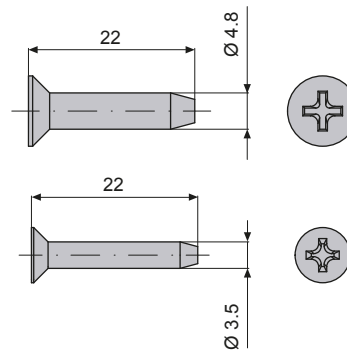
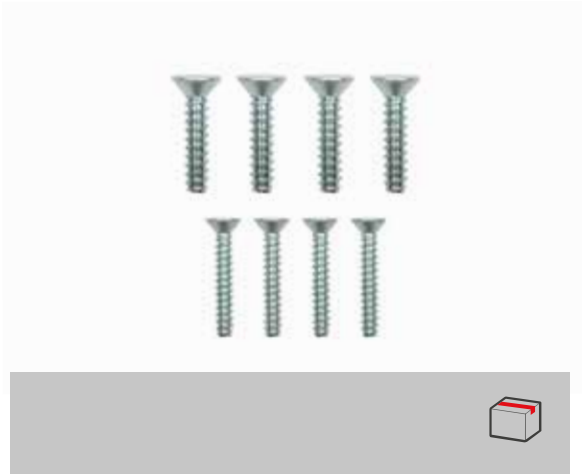
60

5042J

64

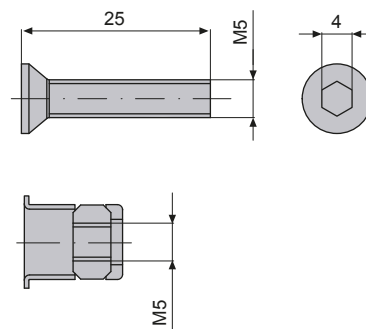
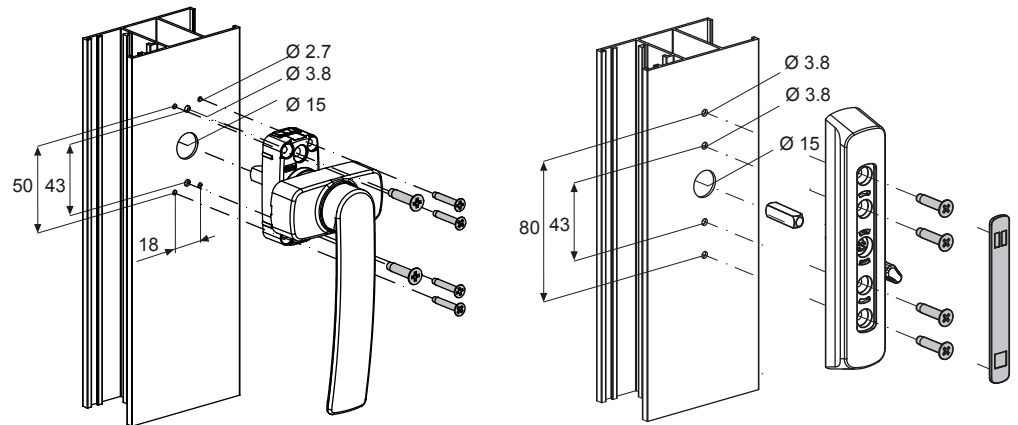
10





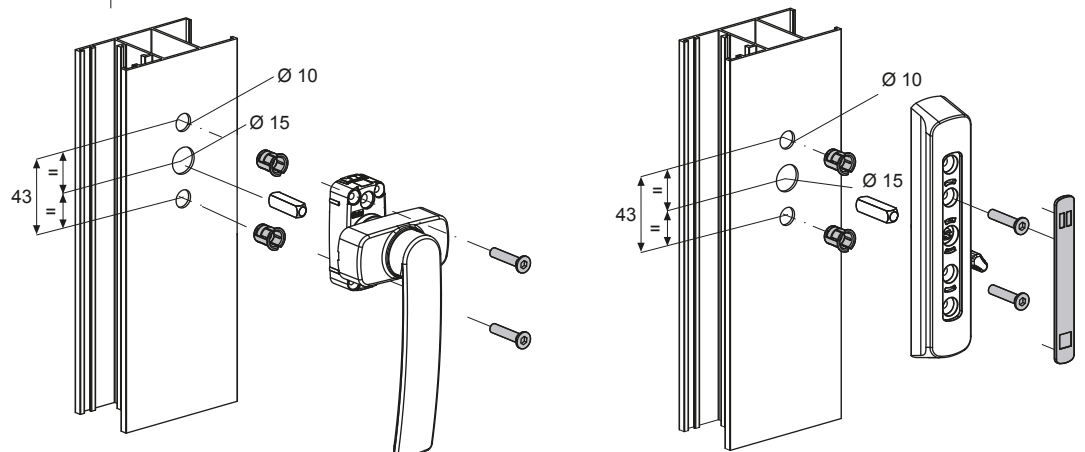
5043A

10



5043G

10



**fapim**<sup>®</sup>

Fapim S.p.A.  
Via delle Cerbaie, 114  
55011 Altopascio (LU) Italy  
T +39 0583 2601 F +39 0583 25291  
www.fapim.it info@fapim.it  
Cod.Fisc. e Part.I.V.A. 02224030466

**DOMATIC**<sup>®</sup>

DOMATIC  
info@domatic.it www.domatic.it

**fapim**

**BENELUX**

Fapim Benelux s.r.l.  
Avenue Rue St. Roch, 17  
7712 Herseaux Belgium  
T +32 56 340548  
T +32 56 341960  
info-fapimbenelux@fapim.it

**fapim**

**HISPANIA**

Fapim Hispania s.L.  
C/edison, esq. A. Ingeniero  
Goicoechea 45600  
Parcela, 74  
Talavera De la Reina (Espana)  
T +34 925 828357  
F +34 925 841148  
administración@fapimhispania.com  
pedidos@fapimhispania.com

**fapim**

**POLSKA**

Fapim Polska sp. z o.o.  
ul.Przyrzeczce 4 03-107  
WarszawaNIP : 536-16-29-437  
T +48 227813797  
F +48 227811022  
Gsm 609022972

**fapim**

**RUSSIA**

Fapim RU Ilc  
Kaluzhskaya Region  
Province Borovskiy, 99km.  
main way "Ukraina", building 4A  
T +7 48439 97207  
info@fapimru.ru

**fapim**<sup>®</sup>

**ARGENTINA**

Fapim Argentina S.A.  
CUIT: 30-71206299-8  
Calle Gral Alvear N° 411 - 1°  
Piso of 1 (B1640EWC) Martinez  
Pdo. de San Isidro  
Buenos Aires - Argentina  
T (+54) (11) 4897-0062  
y Líneas Rotativas

