

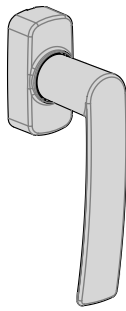
EN

HANDLE FOR SLIDINGS

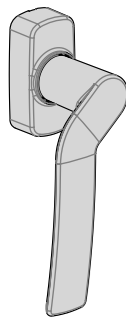
**TWENTY**

**fapim**  
Life in evolution

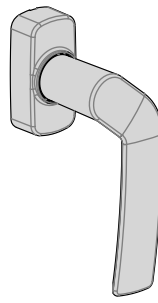
ULFN - Rev.01



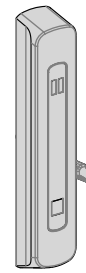
5040AA  
5040AB  
5040FA



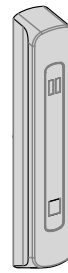
5040AL  
5040FL



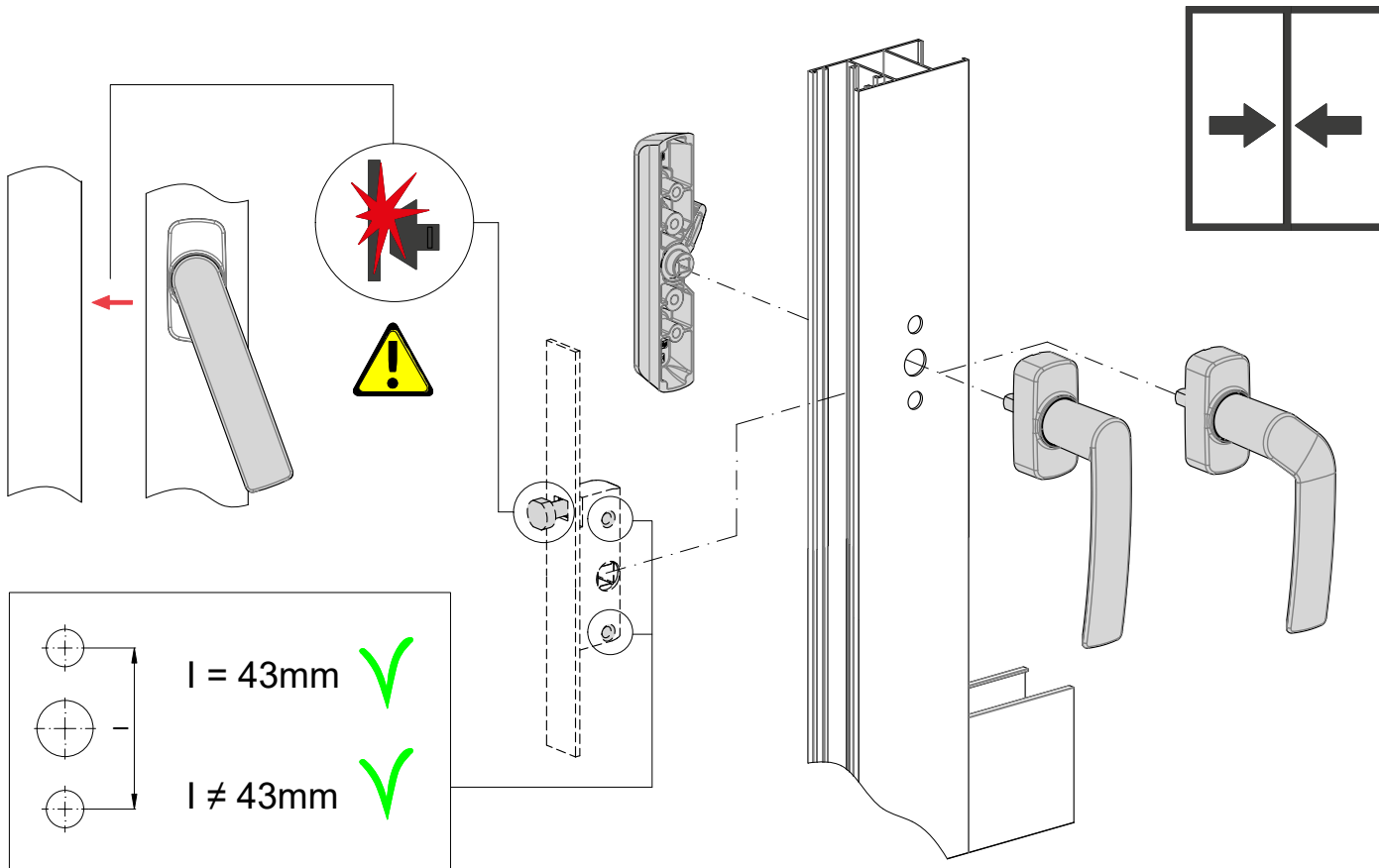
5040AR  
5040FR



5041A



5041F



2  
PULL

3  
PUSH

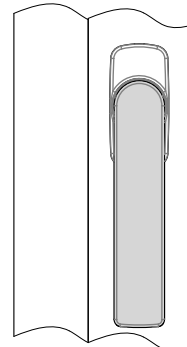
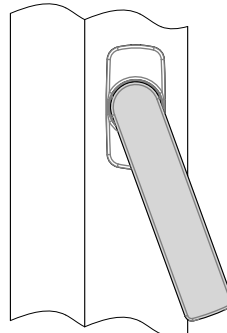
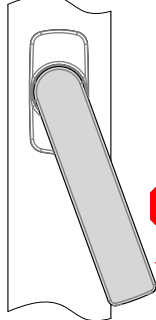
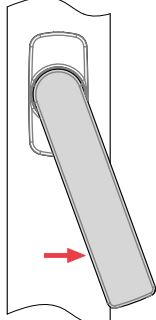
4

5



20°

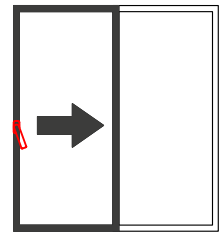
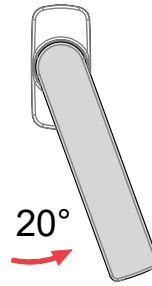
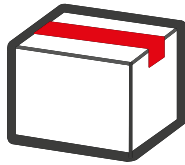
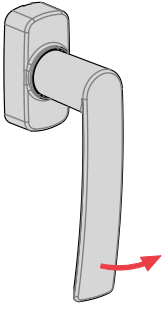
1



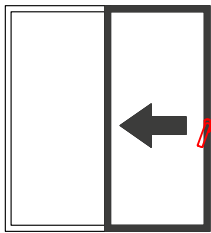
20°

**fapim**

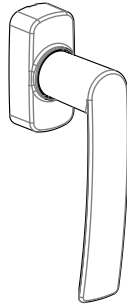
5040AA



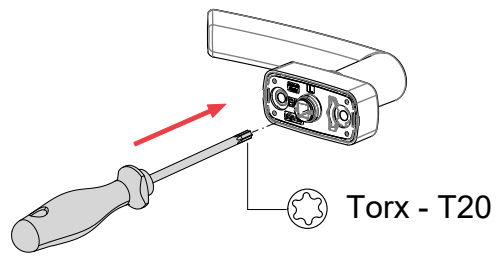
RIGHT



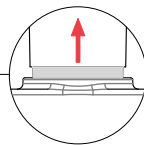
LEFT



1

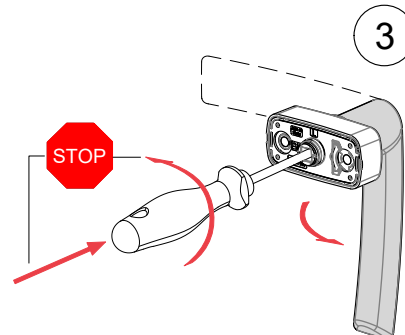


Torx - T20



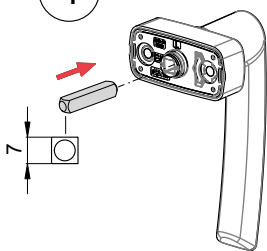
PUSH

2

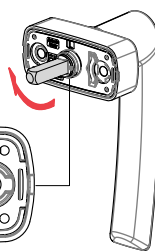


3

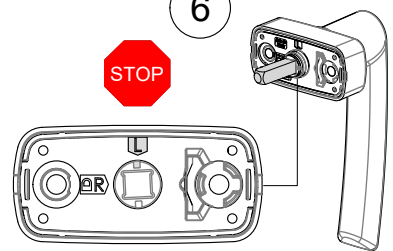
4



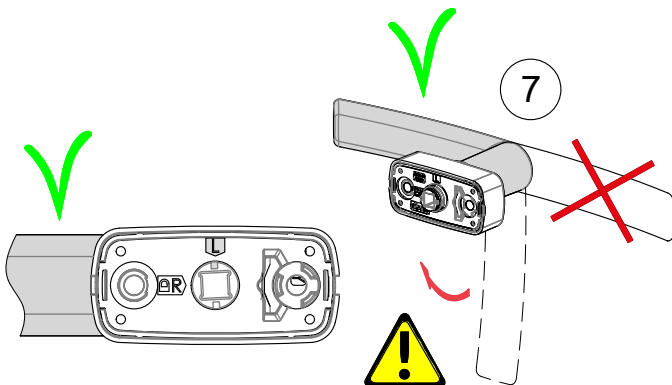
5



6



7



PUSH

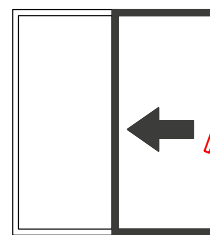
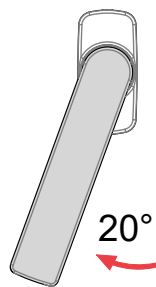
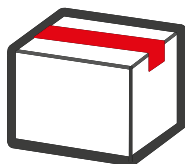
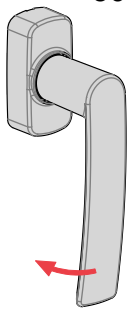


8

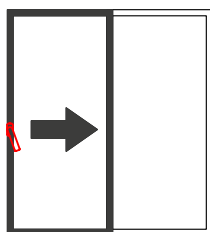
5Nm

fapim

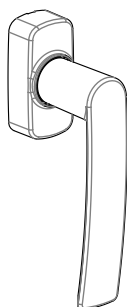
5040AB



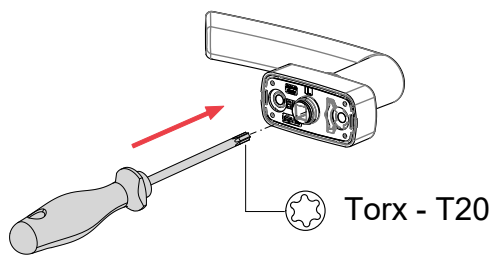
LEFT



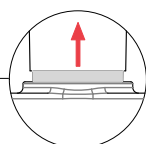
RIGHT



1

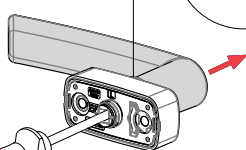


Torx - T20

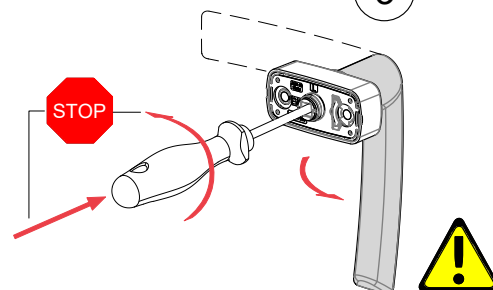


PUSH

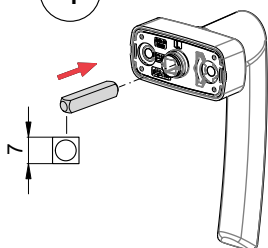
2



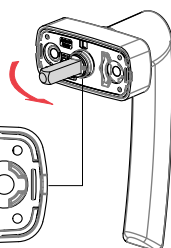
3



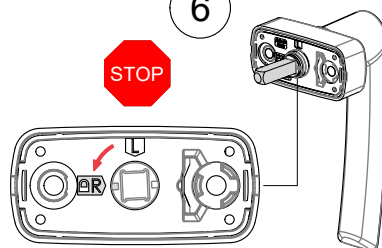
4



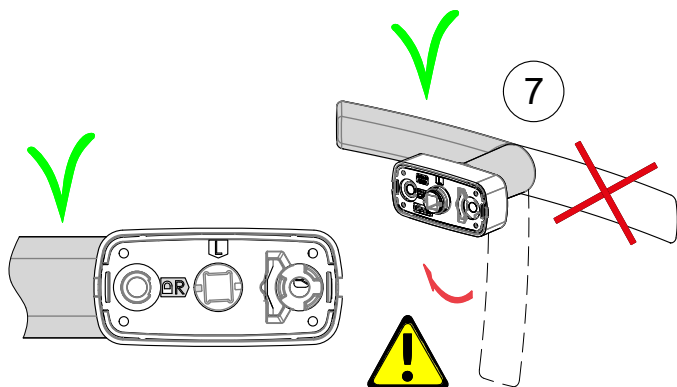
5



6



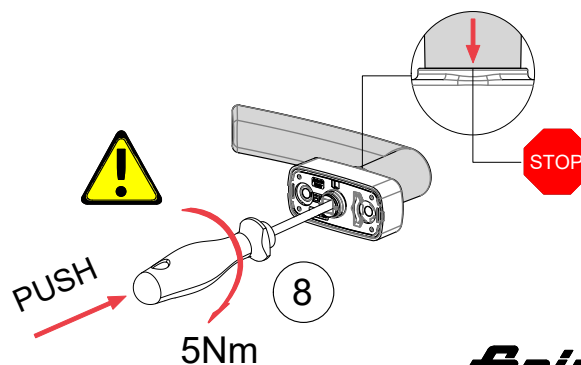
7



PUSH

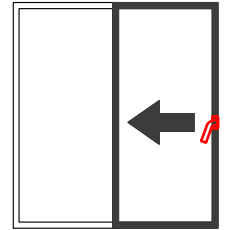
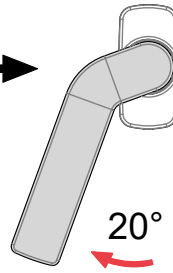
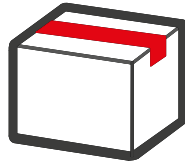
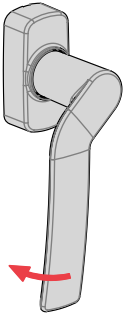
8

5Nm

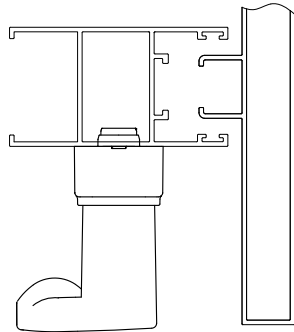


**fapim**

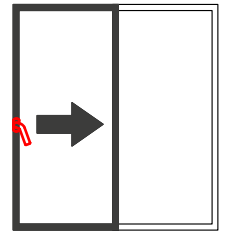
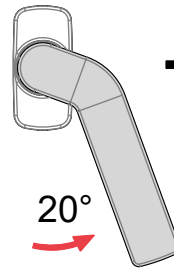
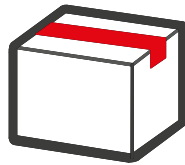
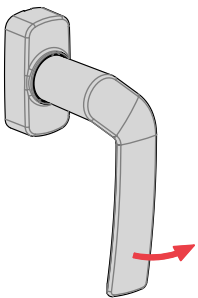
5040AL



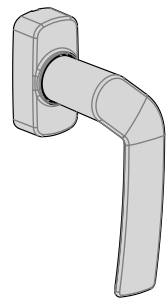
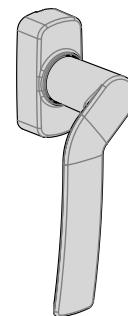
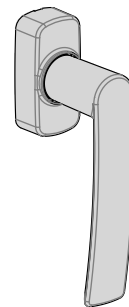
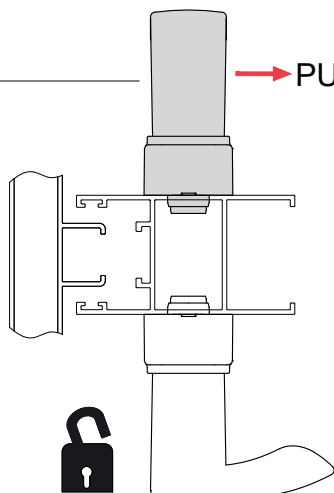
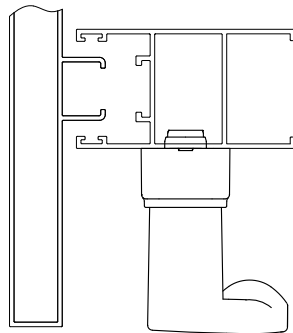
LEFT



5040AR

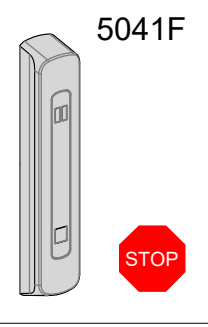
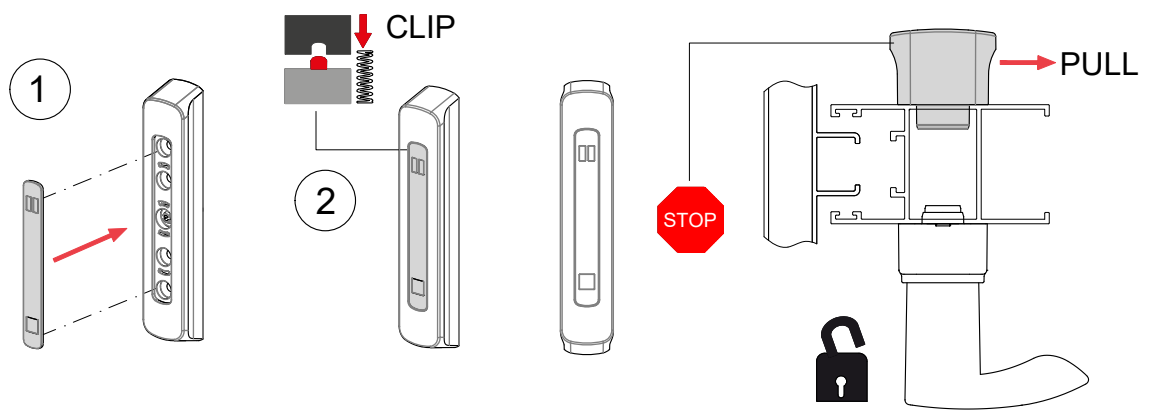
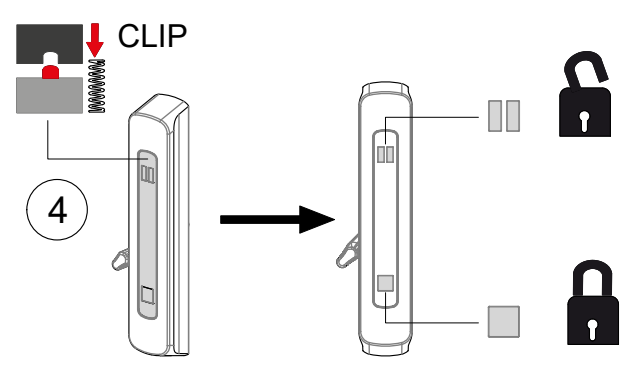
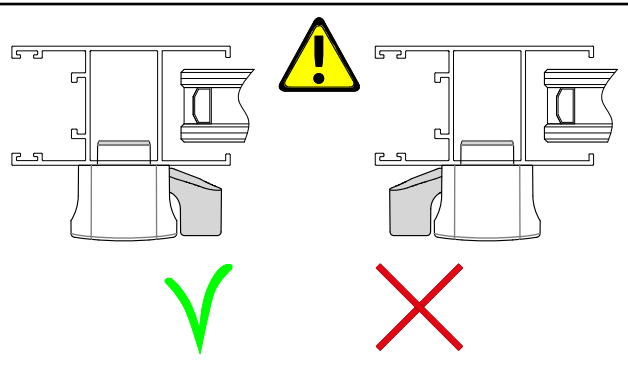
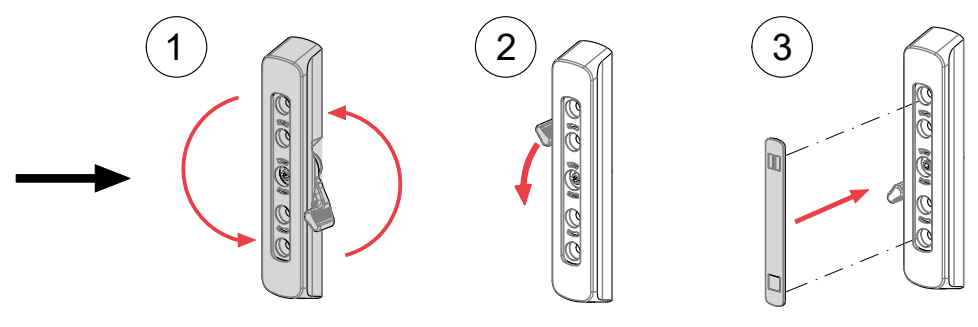
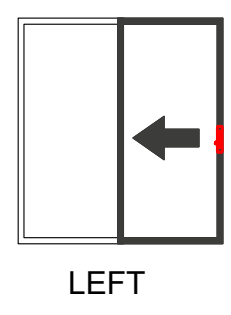
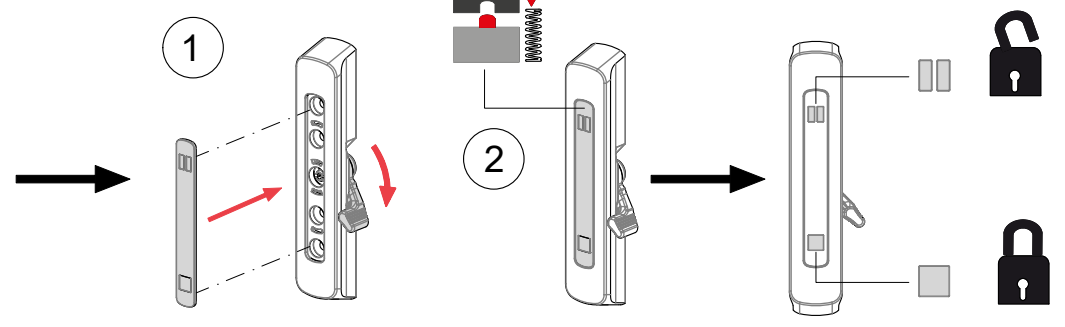
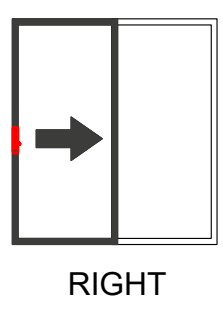
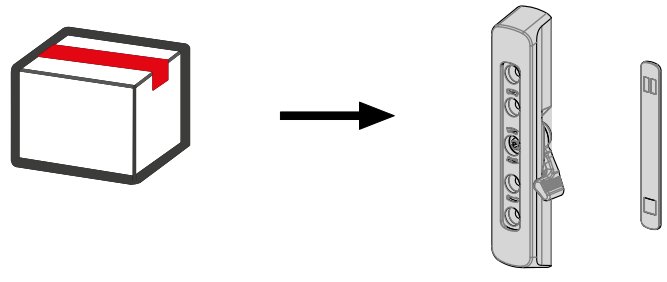
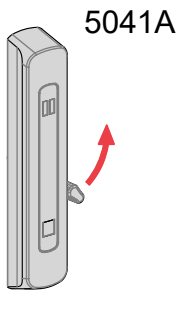


RIGHT

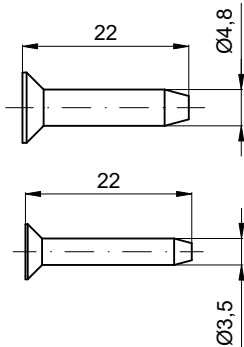
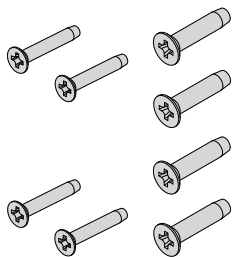


5040FA  
5040FR  
5040FL

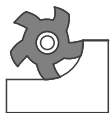
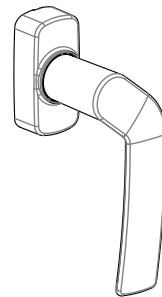
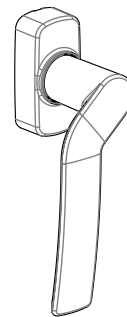
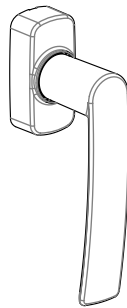




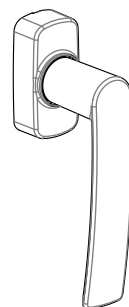
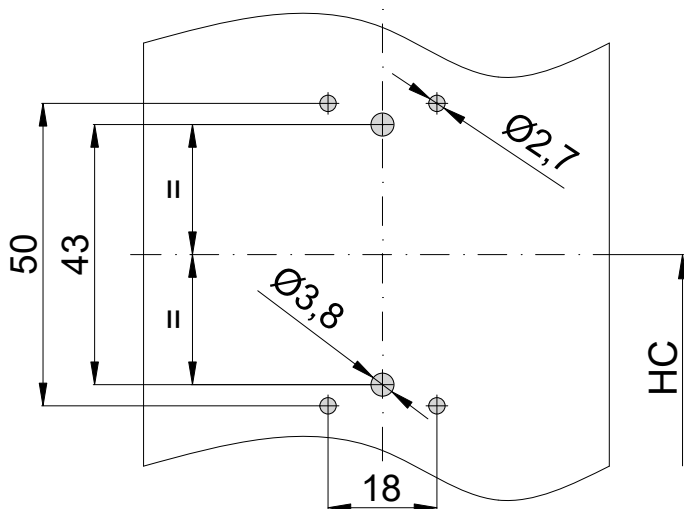
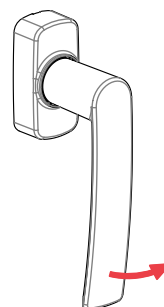
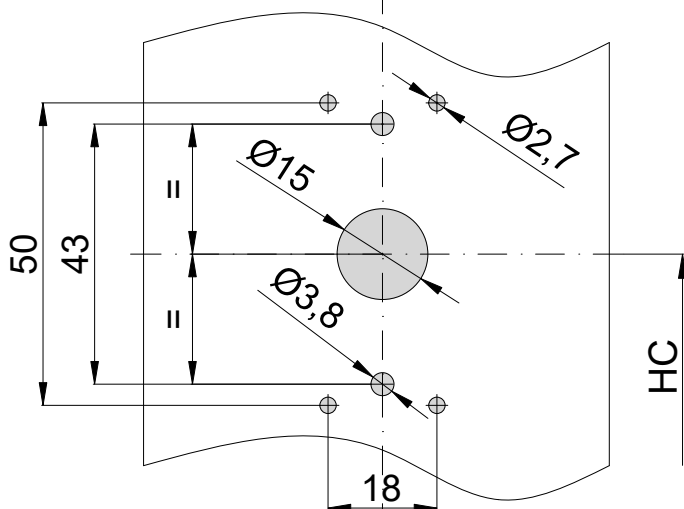
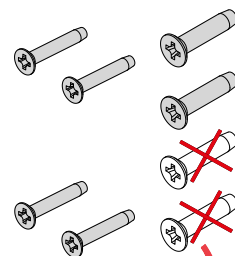
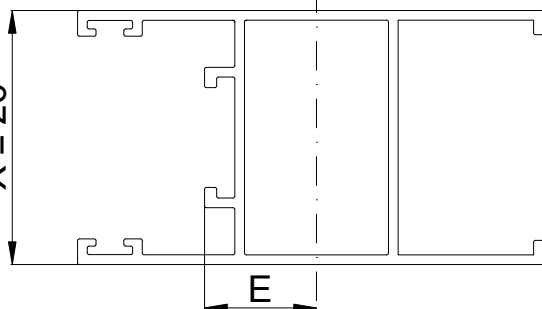
5043A



PH2

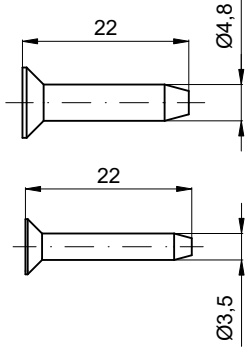
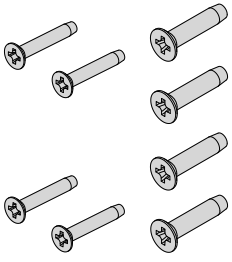


$X \geq 26$

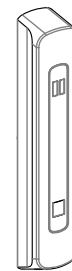
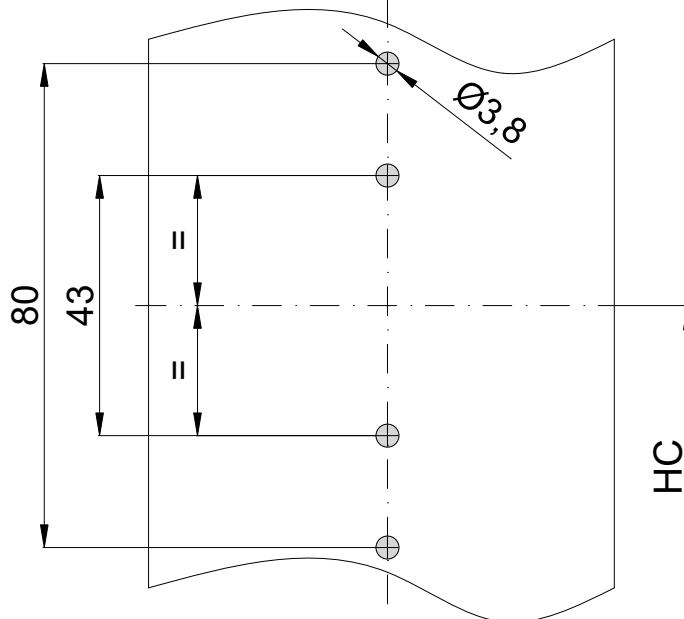
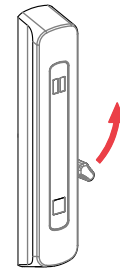
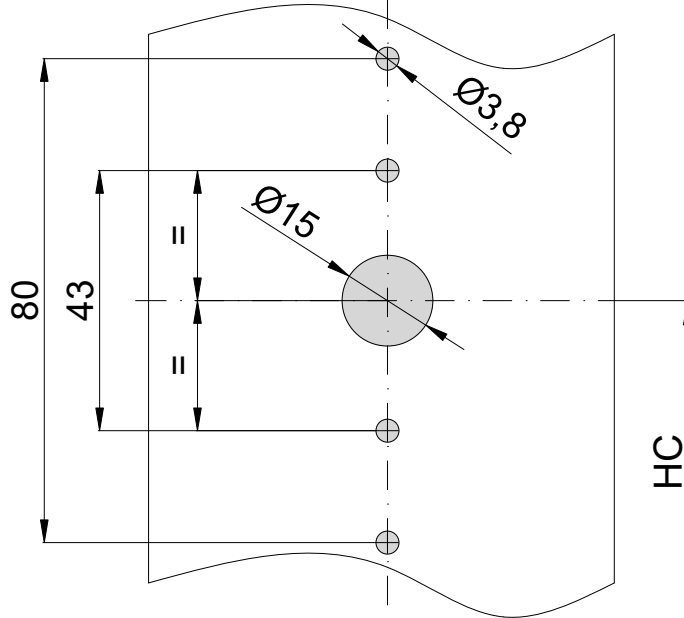
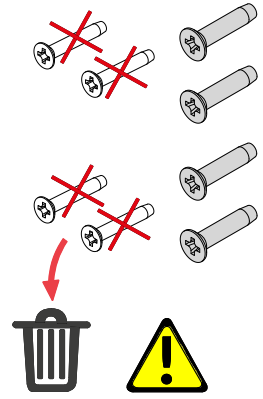
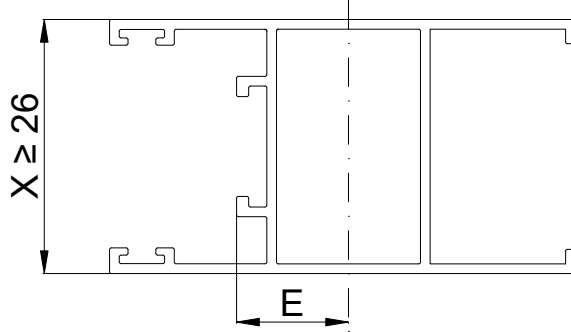
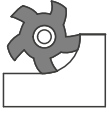
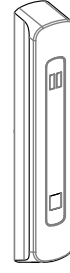
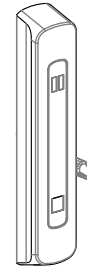


**fapim**

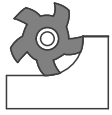
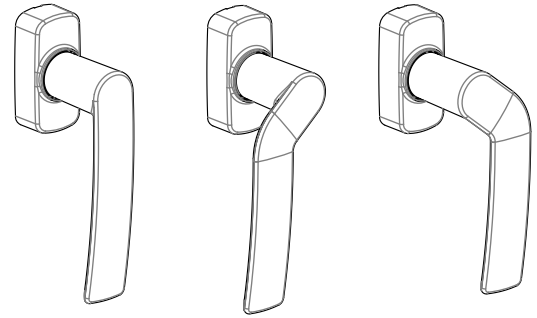
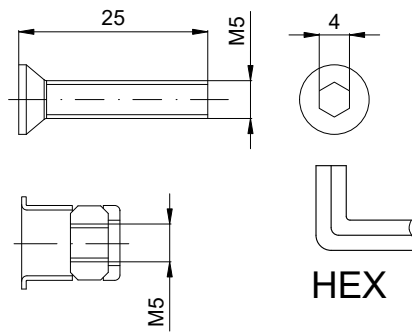
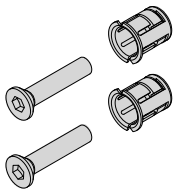
5043A



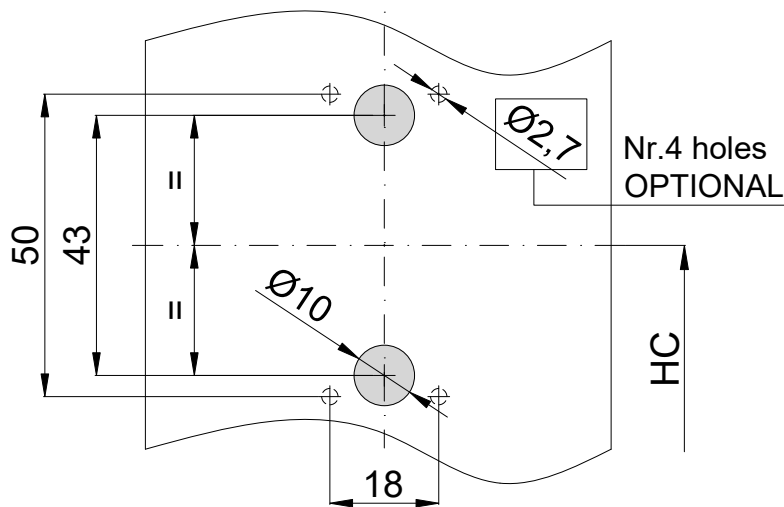
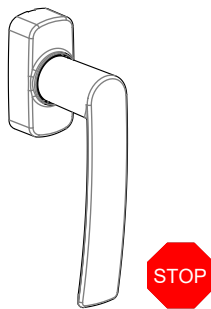
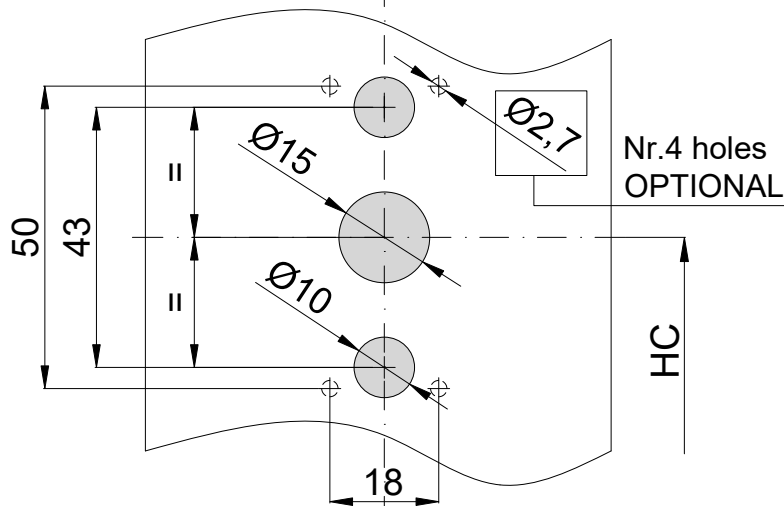
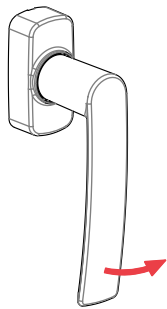
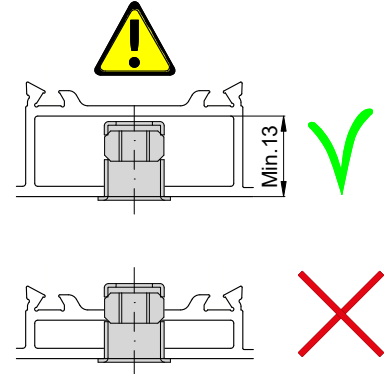
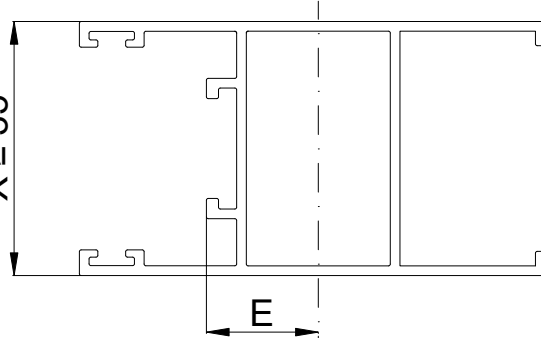
PH2



5043G

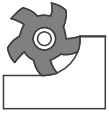
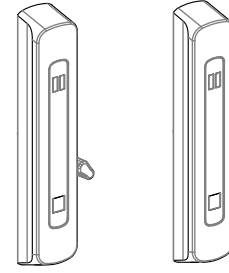
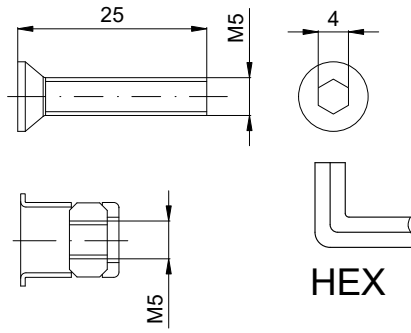
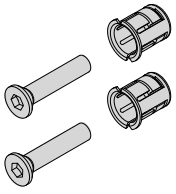


$X \geq 35$

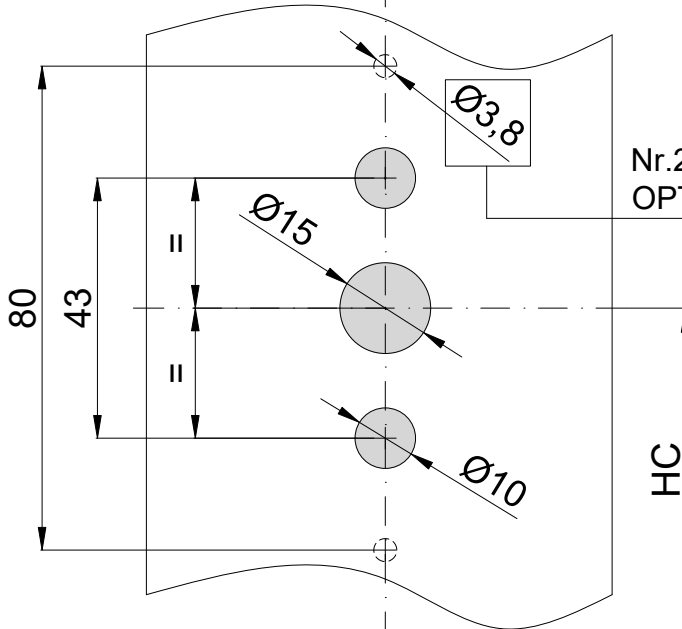
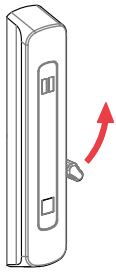
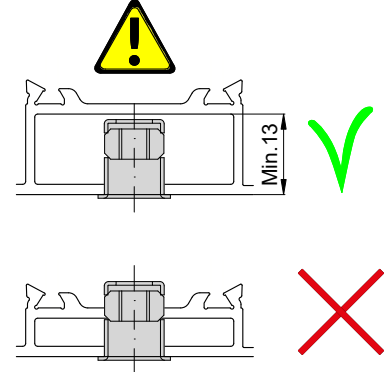
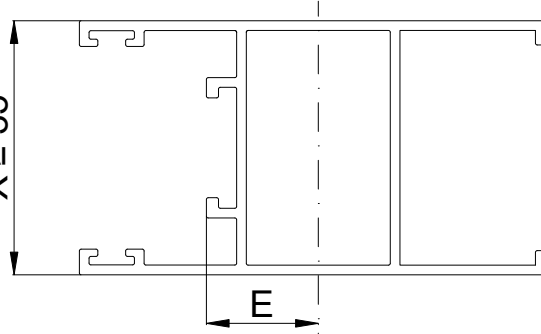




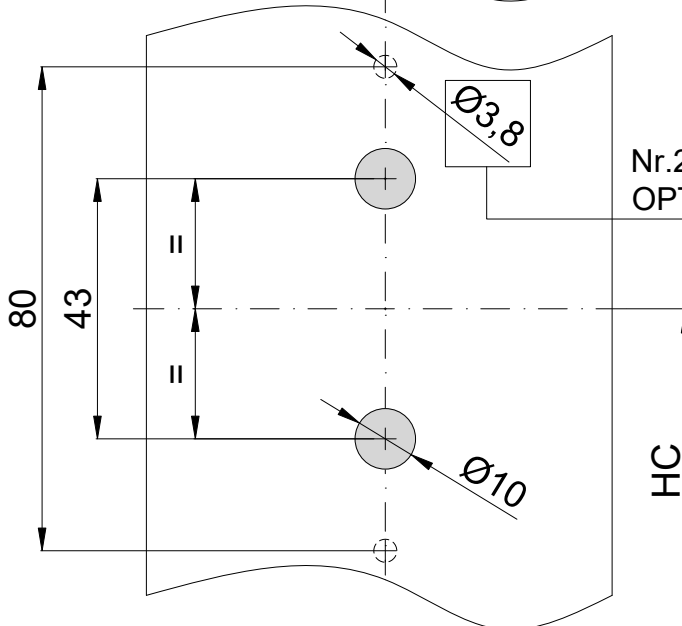
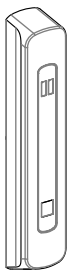
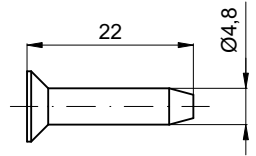
5043G



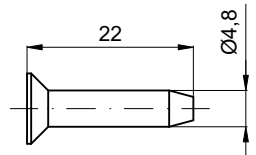
$X \geq 35$



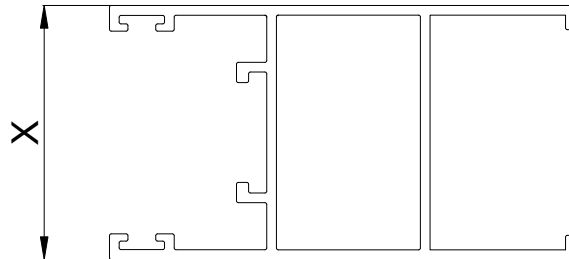
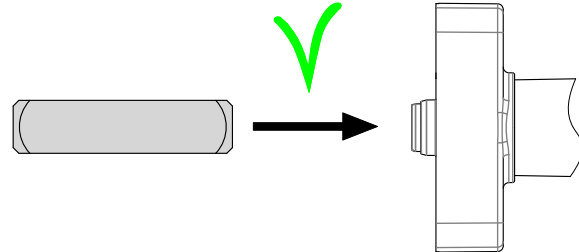
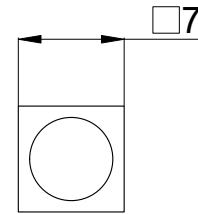
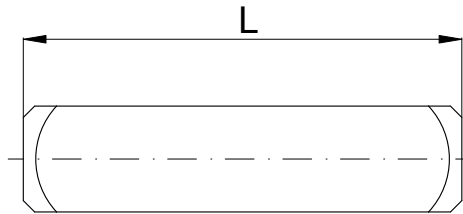
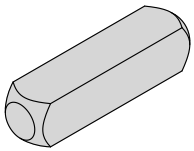
Nr.2 holes  
OPTIONAL



Nr.2 holes  
OPTIONAL

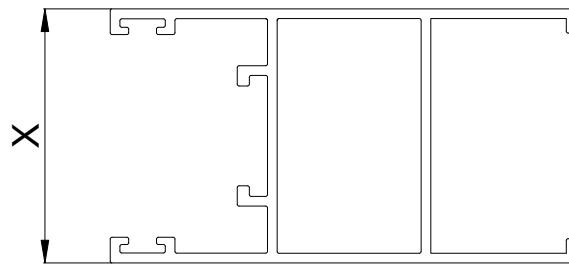
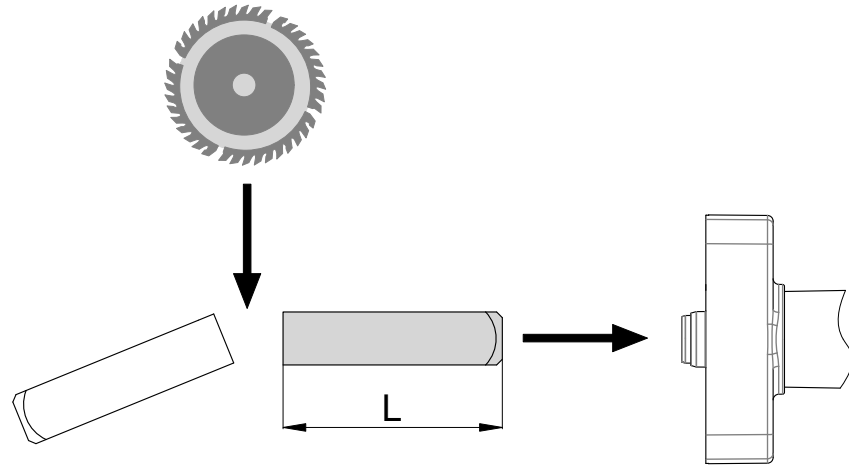
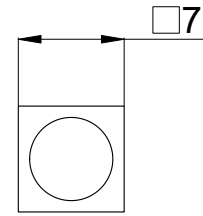
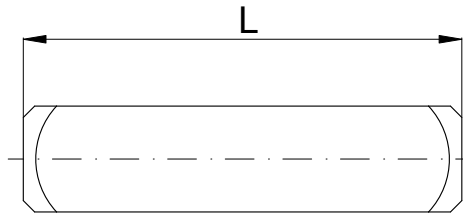
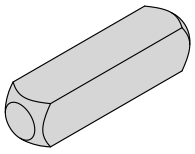


5042..

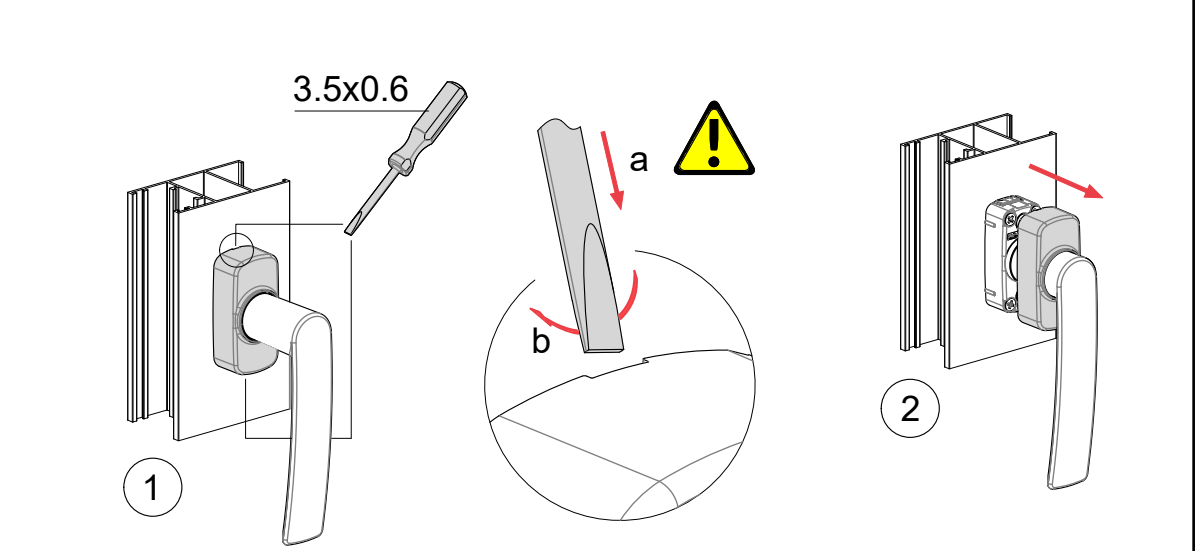
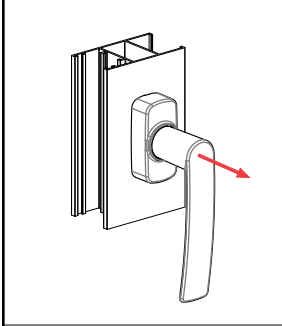
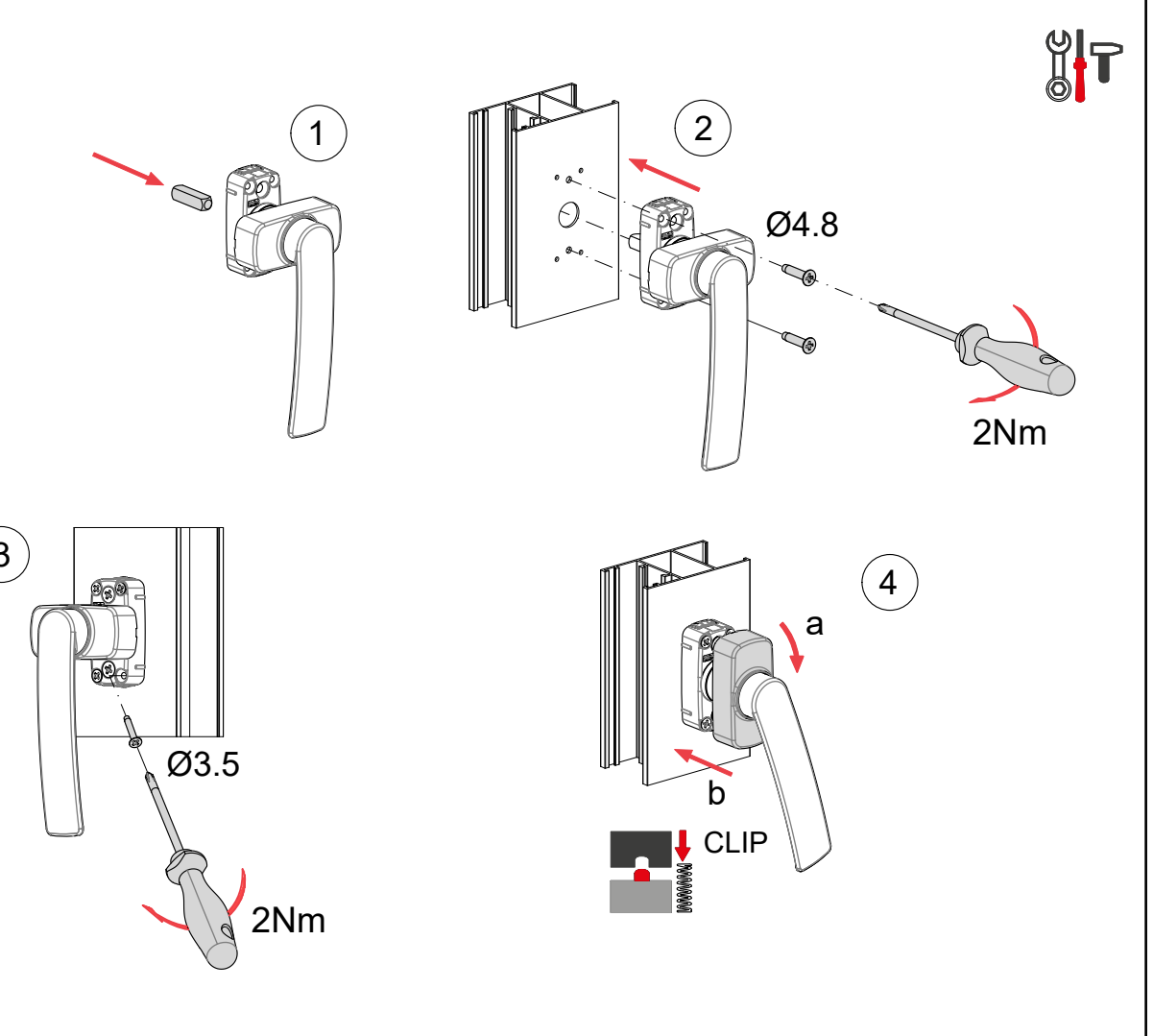
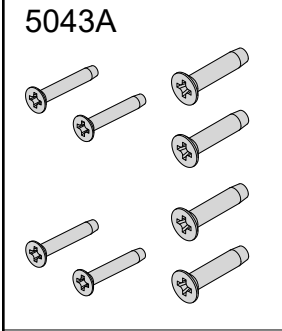
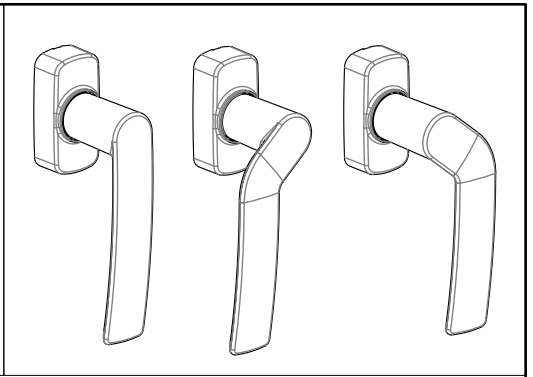
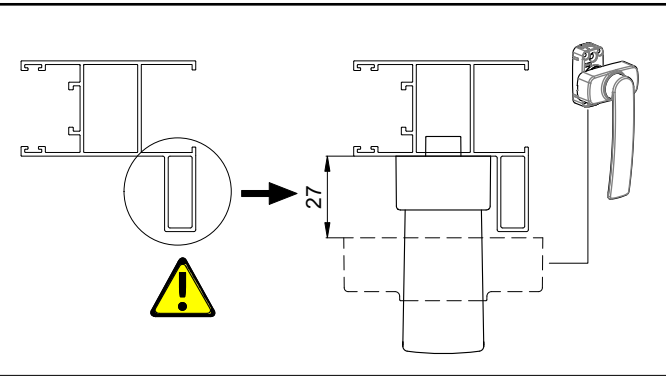
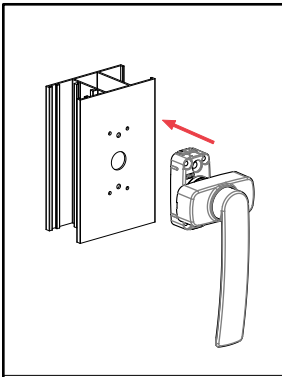


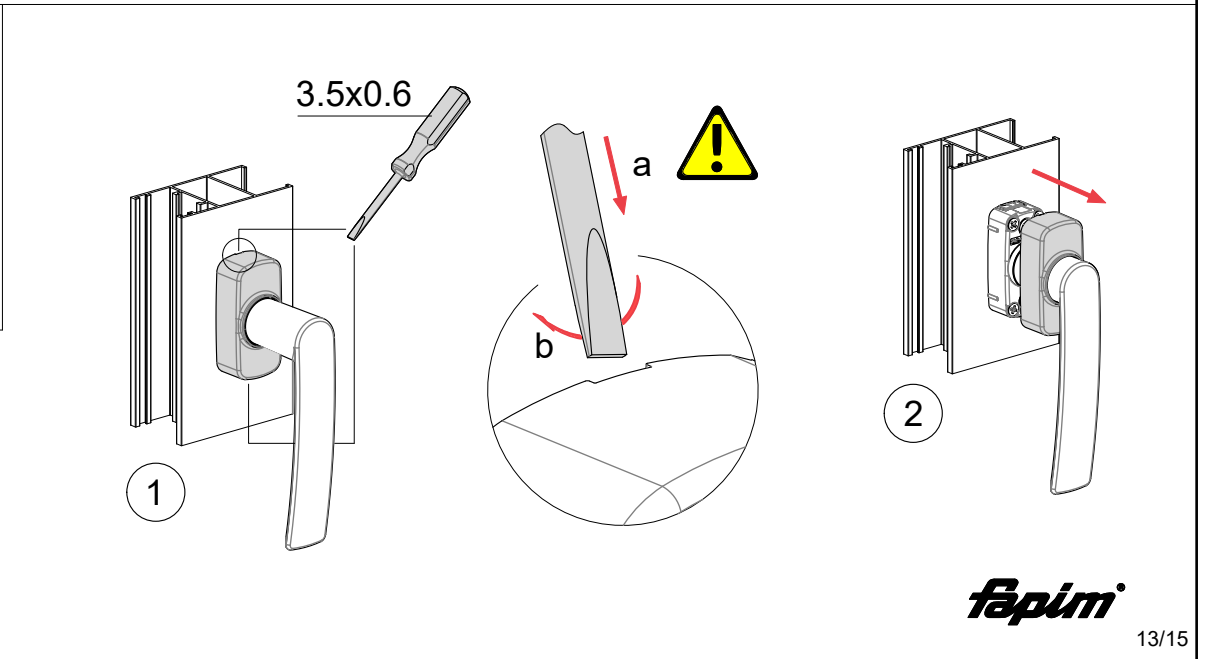
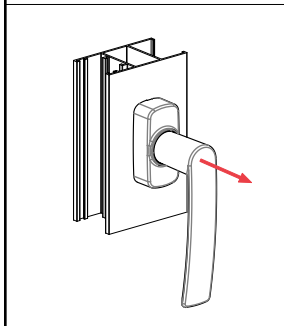
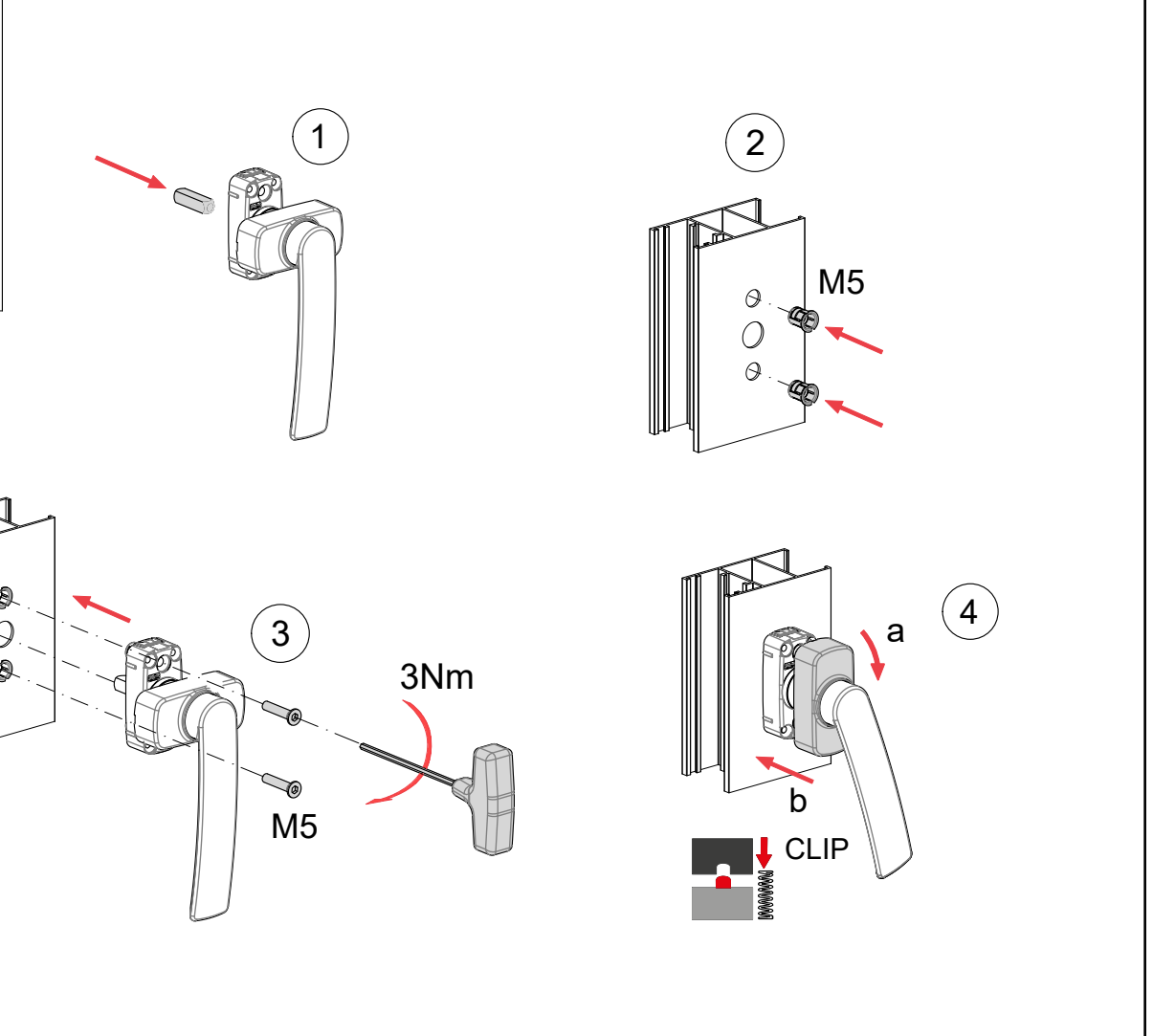
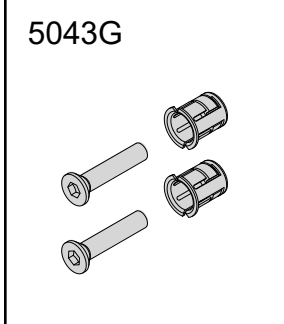
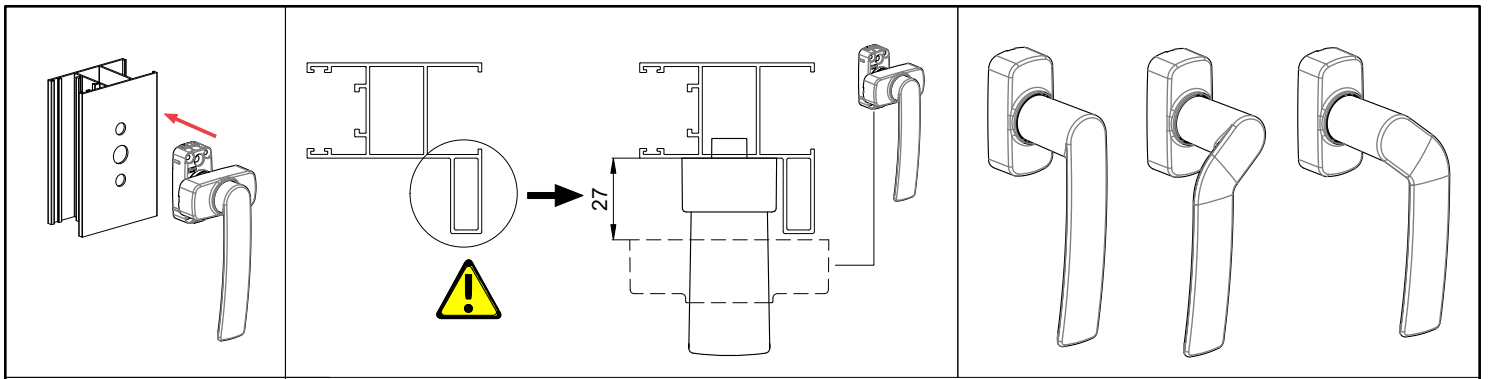
	SINGLE	DOUBLE	DOUBLE
$26 \leq X < 29$	5042A (L=29)	5042C (L=36)	5042A (L=29)
$29 \leq X < 33$	5042B (L=32)	5042D (L=40)	5042B (L=32)
$33 \leq X < 37$	5042C (L=36)	5042E (L=44)	5042C (L=36)
$37 \leq X < 41$	5042D (L=40)	5042F (L=48)	5042D (L=40)
$41 \leq X < 45$	5042E (L=44)	5042G (L=52)	5042E (L=44)
$45 \leq X < 49$	5042F (L=48)	5042H (L=56)	5042F (L=48)
$49 \leq X < 53$	5042G (L=52)	5042I (L=60)	5042G (L=52)
$53 \leq X < 57$	5042H (L=56)	5042J (L=64)	5042H (L=56)
$57 \leq X < 61$	5042I (L=60)		5042I (L=60)
$61 \leq X < 65$	5042J (L=64)		5042J (L=64)

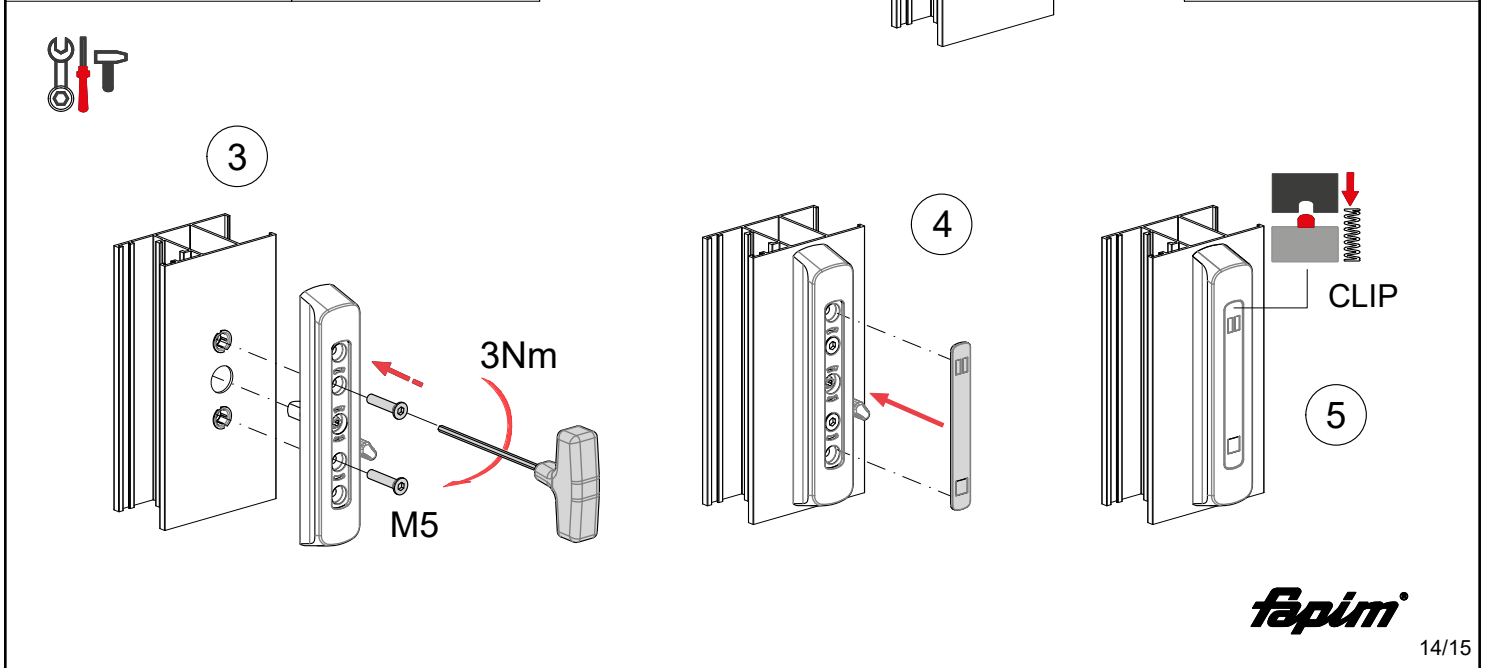
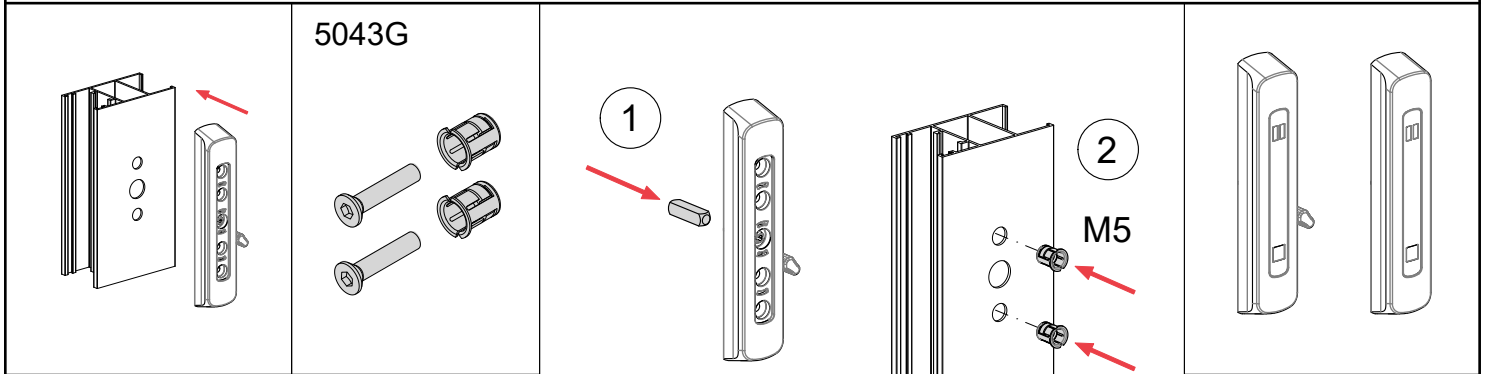
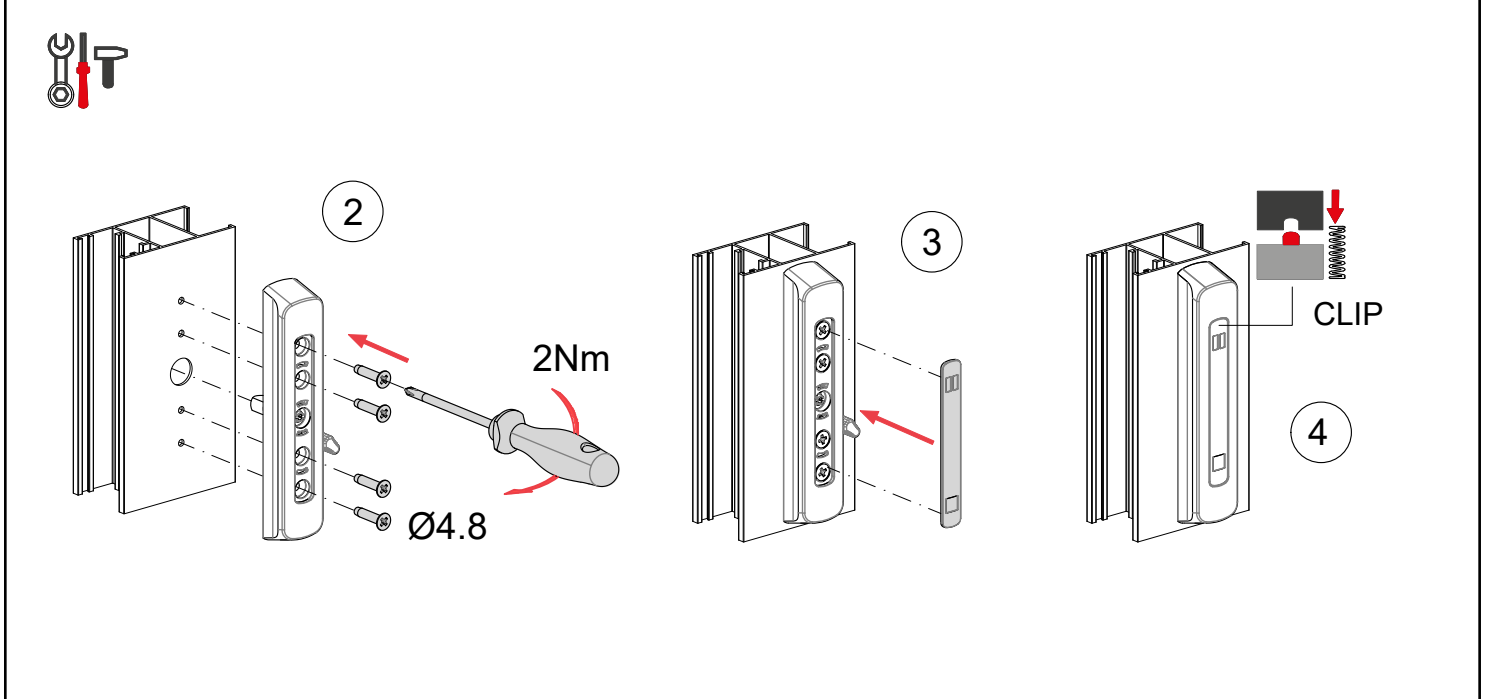
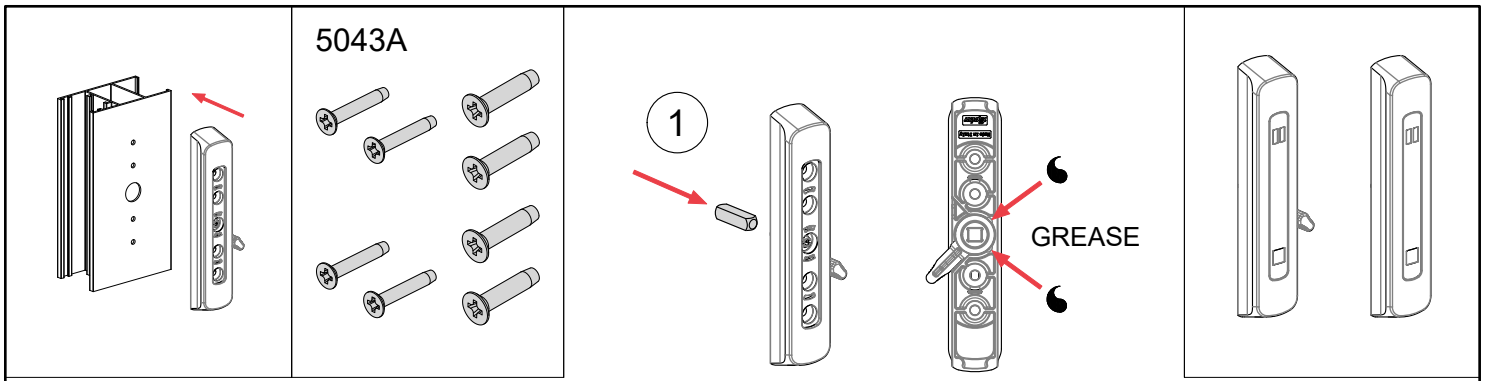
CUSTOM



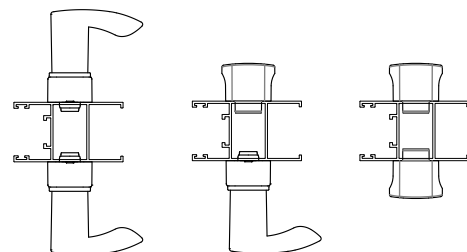
	SINGLE	DOUBLE	DOUBLE
L (mm)	X + 3	X + 10	X + 3





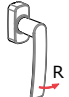





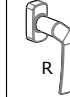




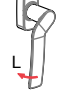








# APPLICATION CHART



## EXTERNAL SIDE

## INTERNAL SIDE

	5040AA	5040AB			5040FA			5041A	5041F
									
		✓			✓			✓	✓
	✓				✓			✓	✓
				✓			✓	✓	✓
			✓			✓		✓	✓
					✓				✓
							✓		✓
						✓			✓
	✓	✓	✓	✓	✓	✓	✓	✓	✓
					✓	✓	✓		✓